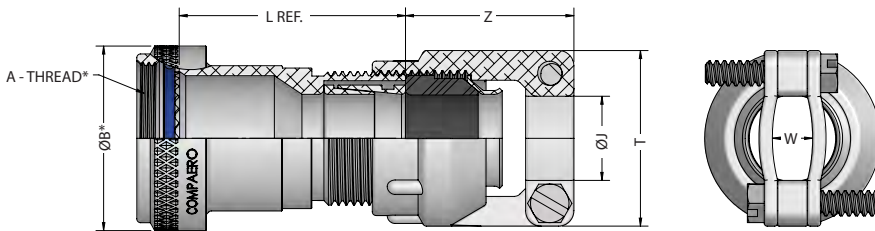


SERIES 81

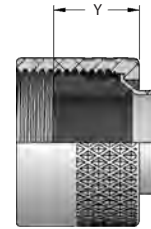
Non-Submersible EMI/RFI Cable Clamp Adapter Environmental, Screened



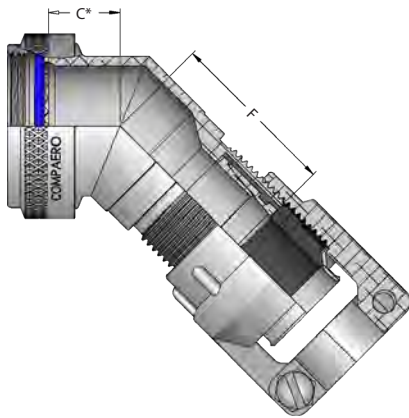
Angle 1 - Straight Rotatable Coupling, Type C Clamp



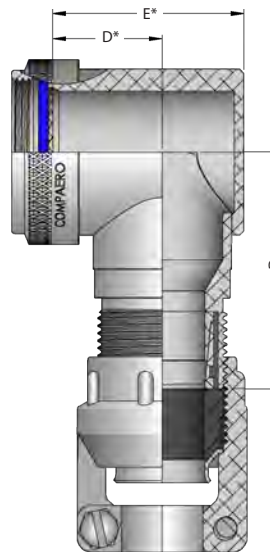
Clamp Option - Type E Nut



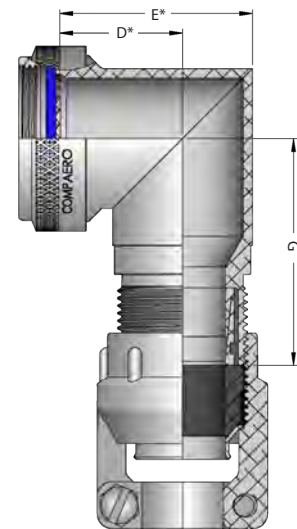
Angle 4 - 45 Degree



Angle 8 - 90 Degree



Angle 9 90 Degree Miter Cut



CP A 81 1 W D - 12 03 C - 10

Compaero Identifier

Connector Interface

See page 6 for details

Series Identifier

Angle

Material & Finish

See page 7 for details

Coupling Ring Option

Omit for standard rotatable

D - Direct coupling

E - Seat-lock (Non-detent, self locking)

S - Self locking (Detent, ratchet style)

T - Safety wire holes

W - Wrench flats

See page 8 for details

Length Option

Omit for 1.50" (Standard) & angled parts
0.25" Increments (10 = 2.50")

Cable Clamp Type

C - MS3057C (shown in drawings)

E - STYLE 'E'

Cable Clamp Size

See table 2 & 3

Shell Size

See table 1

* Refer to interface tables in pages 43 & 44
inches [millimeters]



Table 1 Shell Size

SHELL SIZE	F MAX	G MAX
	in mm	in mm
08/09	1.08 27.4	1.35 34.3
10/11	1.11 28.2	1.42 36.1
12/13	1.13 28.7	1.48 37.6
14/15	1.16 29.5	1.54 39.1
16/17	1.19 30.2	1.60 40.6
18/19	1.20 30.5	1.63 41.4
20/21	1.22 31.0	1.70 43.2
22/23	1.25 31.8	1.76 44.7
24/25	1.28 32.5	1.82 46.2
28/29	1.30 33.0	1.88 47.8
32/33	1.35 34.3	2.01 51.1
36	1.39 35.3	2.10 53.3
40	1.44 36.6	2.23 56.6
44	1.50 38.1	2.35 59.7
48	1.55 39.4	2.48 63.0
61	1.26 32.0	1.79 45.5

Table 2 Type E Nut

ENTRY CODE	CLAMP REF	ØJ		Y MAX	
		in	mm	in	mm
01	CP3057-3E	0.250	6.4	0.79	20.0
02	CP3057-4E	0.313	7.9	0.79	20.0
03	CP3057-6E	0.438	11.1	0.79	20.0
04	CP3057-8E	0.563	14.3	0.79	20.1
05	CP3057-10E	0.625	15.9	0.81	20.5
06	CP3057-12E	0.750	19.1	0.88	22.4
07	CP3057-16E	0.938	23.8	0.87	22.0
08	CP3057-20E	1.250	31.8	0.94	23.9
09	CP3057-24E	1.375	34.9	1.17	29.8
10	CP3057-28E	1.625	41.3	1.17	29.7
11	CP3057-32E	1.875	47.6	1.29	32.7

Table 3 Type C Clamp

ENTRY CODE	CLAMP REF	ØJ		T MAX	W REF	Z MAX
		in	mm	in	mm	in
01	CP3057-3C	0.250	6.4	0.81 20.6	0.22 5.5	1.42 36.2
02	CP3057-4C	0.312	7.9	0.94 23.8	0.30 7.5	1.42 36.2
03	CP3057-6C	0.438	11.1	1.06 27.0	0.39 9.9	1.42 36.2
04	CP3057-8C	0.563	14.3	1.19 30.2	0.43 11.0	1.42 36.2
05	CP3057-10C	0.625	15.9	1.31 33.3	0.43 11.0	1.49 37.8
06	CP3057-12C	0.750	19.1	1.56 39.7	0.60 15.1	1.49 37.8
07	CP3057-16C	0.938	23.8	1.75 44.5	0.60 15.1	1.61 40.9
08	CP3057-20C	1.250	31.8	2.25 57.2	0.86 21.8	1.86 47.3
09	CP3057-24C	1.375	34.9	2.38 60.3	0.86 21.8	2.11 53.6
10	CP3057-28C	1.625	41.3	2.63 66.7	1.11 28.1	2.11 53.6
11	CP3057-32C	1.875	47.6	2.81 71.4	1.42 36.1	2.21 56.0

inches millimeters
Tolerance ±0.01±0.25