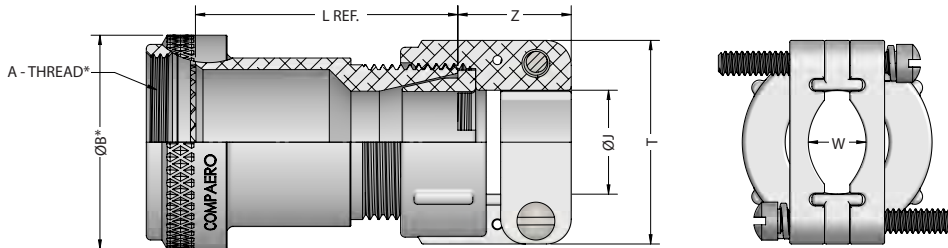


# SERIES 73

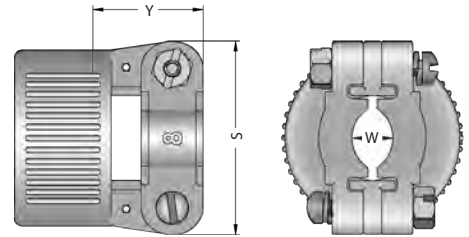
EMI/RFI Cable Clamp Adapter Non-Environmental, Screened



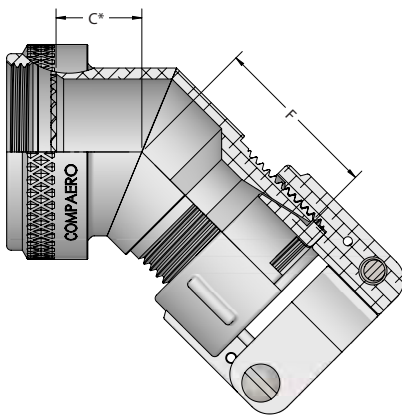
## Angle 1 - Straight Rotatable Coupling, Type A Clamp



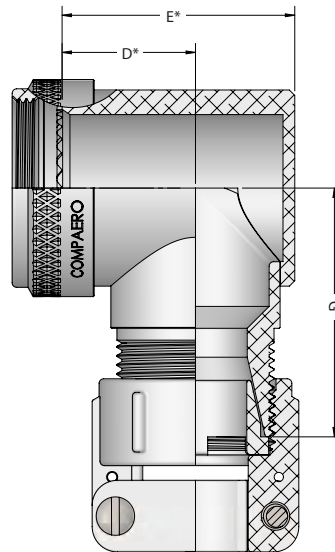
## Clamp Option - Type H Clamp



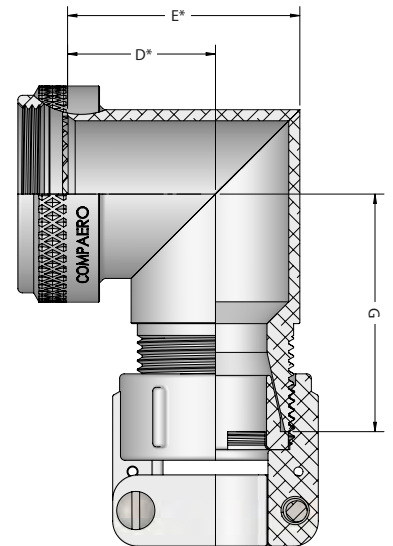
## Angle 4 - 45 Degree



## Angle 8 - 90 Degree



## Angle 9 - 90 Degree Miter Cut



### CP A 73 1 W D - 12 03 H - 10

**Compaero Identifier**

**Connector Interface**

See page 6 for details

**Series Identifier**

**Angle**

**Material & Finish**

See page 7 for details

**Coupling Ring Option**

Omit for standard rotatable

**D** - Direct coupling

**E** - Seat-lock (Non-detent, self locking)

**S** - Self locking (Detent, ratchet style)

**T** - Safety wire holes

**W** - Wrench flats

See page 8 for details

**Length Option**

Omit for 1.50" (Standard) & angled parts  
0.25" Increments (10 = 2.50")

**Cable Clamp Type**

**A** - MS3057A (shown in drawings)

**H** - MS3057D

**Cable Clamp Size**

See table 2&3

**Shell Size**

See table 1

\* Refer to interface tables in pages 43 & 44  
**inches** [millimeters]



**Table 1** Shell Size

SHELL SIZE	F MAX		G MAX	
	in	mm	in	mm
08/09	0.99	25.1	1.26	32.0
10/11	1.02	25.9	1.33	33.8
12/13	1.04	26.4	1.39	35.3
14/15	1.07	27.2	1.45	36.8
16/17	1.10	27.9	1.51	38.4
18/19	1.11	28.2	1.55	39.4
20/21	1.13	28.7	1.61	40.9
22/23	1.16	29.5	1.67	42.4
24/25	1.19	30.2	1.73	43.9
28/29	1.21	30.7	1.80	45.7
32/33	1.26	32.0	1.92	48.8
36	1.30	33.0	2.01	51.1
40	1.35	34.3	2.14	54.4
44	1.41	35.8	2.26	57.4
48	1.46	37.1	2.39	60.7
61	1.17	29.7	1.70	43.2

**Table 2** Type A Clamp

ENTRY CODE	CLAMP REF	ØJ		T MAX		W REF		Z MAX	
		in	mm	in	mm	in	mm	in	mm
01	CP3057-3A	0.250	6.4	0.84	21.4	0.16	4.0	0.90	22.9
02	CP3057-4A	0.312	7.9	0.91	23.0	0.19	4.8	0.90	22.9
03	CP3057-6A	0.438	11.1	1.09	27.8	0.28	7.1	0.96	24.4
04	CP3057-8A	0.563	14.3	1.19	30.1	0.34	8.7	1.02	25.9
05	CP3057-10A	0.625	15.9	1.28	32.5	0.38	9.5	1.02	25.9
06	CP3057-12A	0.750	19.1	1.50	38.1	0.44	11.1	1.02	25.9
07	CP3057-16A	0.938	23.8	1.72	43.7	0.56	14.3	1.12	28.4
08	CP3057-20A	1.250	31.8	2.06	52.4	0.75	19.1	1.12	28.4
09	CP3057-24A	1.375	34.9	2.31	58.7	0.78	19.8	1.12	28.4
10	CP3057-28A	1.625	41.3	2.72	69.1	0.97	24.6	1.65	41.9
11	CP3057-32A	1.875	47.6	2.97	75.4	1.13	28.6	1.65	41.9

**Table 3** Type H Clamp

ENTRY CODE	CLAMP REF	ØJ		S MAX		W REF		Y MAX	
		in	mm	in	mm	in	mm	in	mm
02	CP3057-4D	0.313	7.9	0.96	24.3	0.17	4.2	1.22	31.0
03	CP3057-6D	0.438	11.1	1.15	29.1	0.29	7.3	1.22	31.0
04	CP3057-8D	0.563	14.3	1.33	33.8	0.34	8.7	1.22	31.0
05	CP3057-10D	0.625	15.9	1.33	33.8	0.37	9.5	1.22	31.0
06	CP3057-12D	0.750	19.1	1.55	39.4	0.52	13.2	1.26	32.0
07	CP3057-16D	0.938	23.8	1.77	45.0	0.64	16.3	1.35	34.3
08	CP3057-20D	1.250	31.8	2.11	53.7	0.86	21.7	1.54	39.1
09	CP3057-24D	1.375	34.9	2.36	60.0	0.99	25.1	1.57	39.9
10	CP3057-28D	1.625	41.3	2.77	70.4	1.26	32.1	1.84	46.7
11	CP3057-32D	1.875	47.6	3.02	76.7	1.42	36.0	1.84	46.7

inches millimeters  
Tolerance ±0.01±0.25