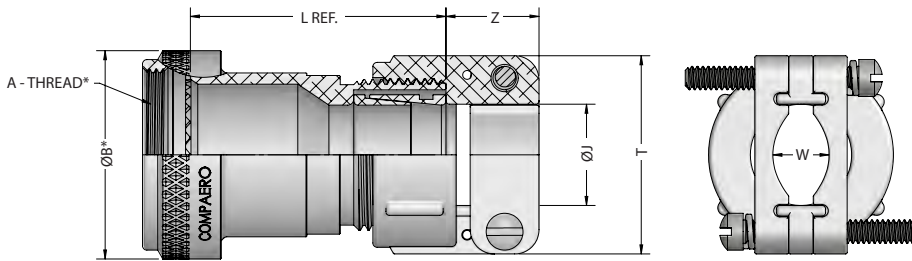


SERIES 70

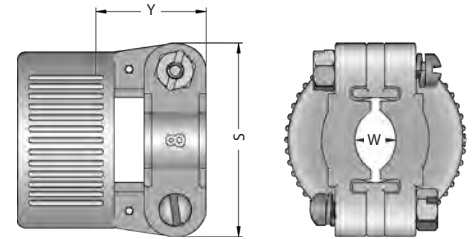
EMI/RFI Cable Clamp Adapter Non-Environmental, Screened



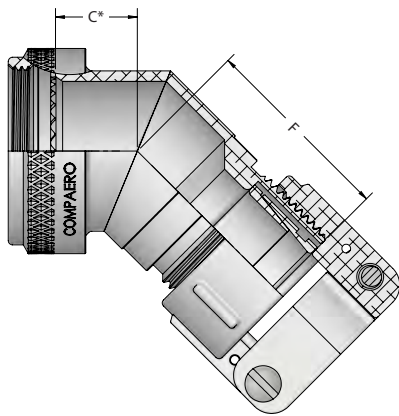
Angle 1 - Straight Rotatable Coupling, Type A Clamp



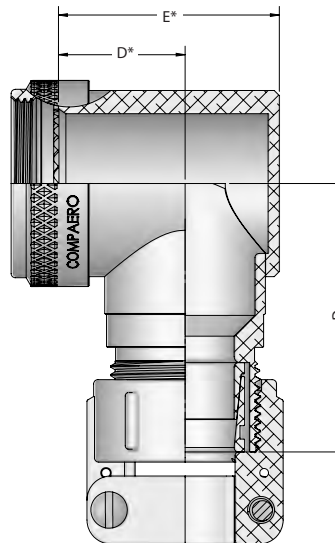
Clamp Option - Type H Clamp



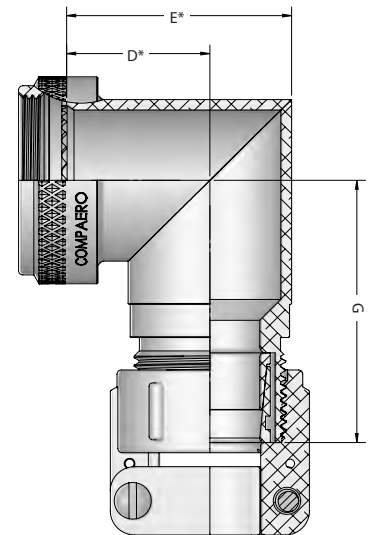
Angle 4 - 45 Degree



Angle 8 - 90 Degree



Angle 9 - 90 Degree Miter Cut



CP A 70 1 W D - 12 03 H - 10

Compaero Identifier

Connector Interface
See page 6 for details

Series Identifier

Angle

Material & Finish
See page 7 for details

Coupling Ring Option

Omit for standard rotatable

D - Direct coupling

E - Seat-lock (Non-detent, self locking)

S - Self locking (Detent, ratchet style)

T - Safety wire holes

W - Wrench flats

See page 8 for details

Length Option

Omit for 1.50" (Standard) & angled parts
0.25" Increments (10 = 2.50")

Cable Clamp Type

A - MS3057A (shown in drawings)

H - MS3057D

Cable Clamp Size

See table 2 & 3

Shell Size

See table 1

* Refer to interface tables in pages 43 & 44
inches [millimeters]



Table 1 Shell Size

SHELL SIZE	F MAX	G MAX
	in mm	in mm
08/09	1.08 27.4	1.35 34.3
10/11	1.11 28.2	1.42 36.1
12/13	1.13 28.7	1.48 37.6
14/15	1.16 29.5	1.54 39.1
16/17	1.19 30.2	1.60 40.6
18/19	1.20 30.5	1.63 41.4
20/21	1.22 31.0	1.70 43.2
22/23	1.25 31.8	1.76 44.7
24/25	1.28 32.5	1.82 46.2
28/29	1.30 33.0	1.88 47.8
32/33	1.35 34.3	2.01 51.1
36	1.39 35.3	2.10 53.3
40	1.44 36.6	2.23 56.6
44	1.50 38.1	2.35 59.7
48	1.55 39.4	2.48 63.0
61	1.26 32.0	1.79 45.5

Table 2 Type A Clamp

ENTRY CODE	CLAMP REF	ØJ	T MAX	W REF	Z MAX
		in mm	in mm	in mm	in mm
01	CP3057-3A	0.250 6.4	0.84 21.4	0.16 4.0	0.80 20.2
02	CP3057-4A	0.312 7.9	0.91 23.0	0.19 4.8	0.80 20.2
03	CP3057-6A	0.438 11.1	1.09 27.8	0.28 7.1	0.86 21.8
04	CP3057-8A	0.563 14.3	1.19 30.1	0.34 8.7	0.92 23.4
05	CP3057-10A	0.625 15.9	1.28 32.5	0.38 9.5	0.92 23.4
06	CP3057-12A	0.750 19.1	1.50 38.1	0.44 11.1	0.92 23.4
07	CP3057-16A	0.938 23.8	1.72 43.7	0.56 14.3	1.02 25.8
08	CP3057-20A	1.250 31.8	2.06 52.4	0.75 19.1	1.02 25.8
09	CP3057-24A	1.375 34.9	2.31 58.7	0.78 19.8	1.02 25.8
10	CP3057-28A	1.625 41.3	2.72 69.1	0.97 24.6	1.55 39.3
11	CP3057-32A	1.875 47.6	2.97 75.4	1.13 28.6	1.55 39.3

Table 3 Type H Clamp

ENTRY CODE	CLAMP REF	ØJ	S MAX	W REF	Y MAX
		in mm	in mm	in mm	in mm
02	CP3057-4D	0.313 7.9	0.96 24.3	0.17 4.2	1.12 28.5
03	CP3057-6D	0.438 11.1	1.15 29.1	0.29 7.3	1.12 28.5
04	CP3057-8D	0.563 14.3	1.33 33.8	0.34 8.7	1.12 28.5
05	CP3057-10D	0.625 15.9	1.33 33.8	0.37 9.5	1.12 28.5
06	CP3057-12D	0.750 19.1	1.55 39.4	0.52 13.2	1.16 29.3
07	CP3057-16D	0.938 23.8	1.77 45.0	0.64 16.3	1.25 31.7
08	CP3057-20D	1.250 31.8	2.11 53.7	0.86 21.7	1.44 36.5
09	CP3057-24D	1.375 34.9	2.36 60.0	0.99 25.1	1.47 37.3
10	CP3057-28D	1.625 41.3	2.77 70.4	1.26 32.1	1.74 44.3
11	CP3057-32D	1.875 47.6	3.02 76.7	1.42 36.0	1.74 44.3

inches millimeters
Tolerance ±0.01±0.25