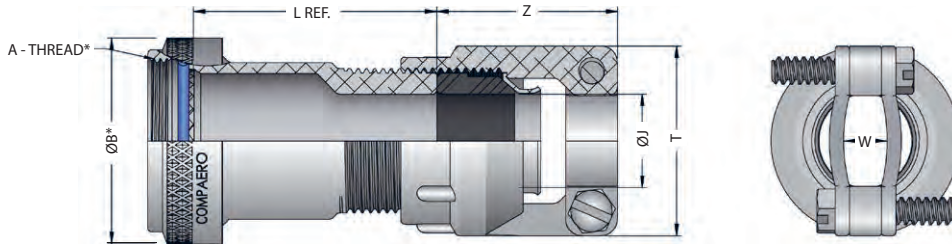


SERIES 61

Non-Submersible Cable Clamp Adapter Environmental, Non-Screened



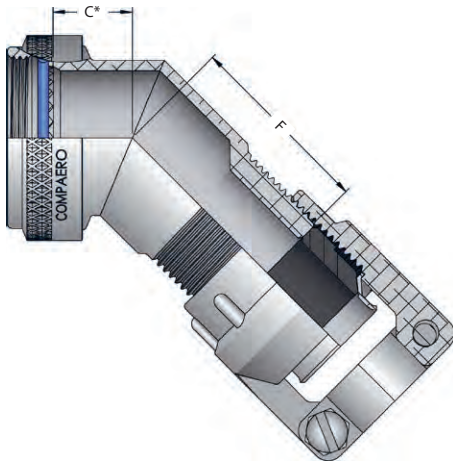
Angle 1 - Straight Rotatable Coupling, Type C Clamp



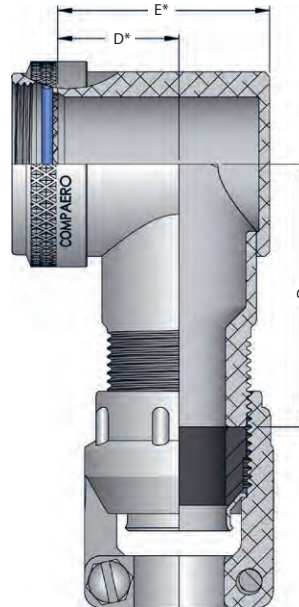
Clamp Option - Type E Nut



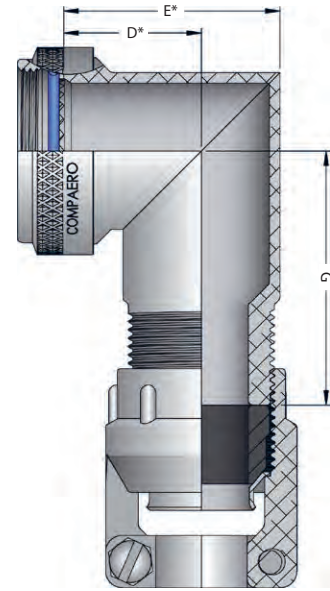
Angle 4 - 45 Degree



Angle 8 - 90 Degree



Angle 9 - 90 Degree Miter Cut



CP A 61 1 W D - 12 03 C - 10

Compaero Identifier

Connector Interface

See page 6 for details

Series Identifier

Angle

Material & Finish

See page 7 for details

Coupling Ring Option

Omit for standard rotatable

D - Direct coupling

E - Seat-lock (Non-detent, self locking)

S - Self locking (Detent, ratchet style)

T - Safety wire holes

W - Wrench flats

See page 8 for details

Length Option

Omit for 1.50" (Standard) & angled parts
0.25" Increments (10 = 2.50")

Cable Clamp Type

C - MS3057C (shown in drawings)

E - Style E

Cable Clamp Size

See table 2&3

Shell Size

See table 1

* Refer to interface tables in pages 43 & 44
inches [millimeters]



Table 1 Shell Size

SHELL SIZE	F MAX	G MAX
	in mm	in mm
08/09	0.88 22.4	1.17 29.7
10/11	0.91 23.1	1.23 31.2
12/13	0.93 23.6	1.29 32.8
14/15	0.96 24.4	1.35 34.3
16/17	0.98 24.9	1.42 36.1
18/19	1.00 25.4	1.45 36.8
20/21	1.02 25.9	1.51 38.4
22/23	1.05 26.7	1.57 39.9
24/25	1.07 27.2	1.63 41.4
28/29	1.10 27.9	1.70 43.2
32/33	1.15 29.2	1.82 46.2
36	1.19 30.2	1.92 48.8
40	1.24 31.5	2.04 51.8
44	1.29 32.8	2.17 55.1
48	1.35 34.3	2.29 58.2
61	1.06 26.9	1.60 40.6

Table 2 Type E Nut

ENTRY CODE	CLAMP REF	ØJ		Y MAX	
		in	mm	in	mm
01	CP3057-3E	0.250	6.4	0.58	14.8
02	CP3057-4E	0.313	7.9	0.58	14.8
03	CP3057-6E	0.438	11.1	0.58	14.8
04	CP3057-8E	0.563	14.3	0.58	14.8
05	CP3057-10E	0.625	15.9	0.60	15.3
06	CP3057-12E	0.750	19.1	0.68	17.2
07	CP3057-16E	0.938	23.8	0.66	16.8
08	CP3057-20E	1.250	31.8	0.73	18.6
09	CP3057-24E	1.375	34.9	0.97	24.5
10	CP3057-28E	1.625	41.3	0.96	24.4
11	CP3057-32E	1.875	47.6	1.08	27.4

Table 3 Type C Clamp

ENTRY CODE	CLAMP REF	ØJ		T MAX	W REF	Z MAX
		in	mm	in	mm	in
01	CP3057-3C	0.250	6.4	0.81 20.6	0.22 5.5	1.22 31.0
02	CP3057-4C	0.312	7.9	0.94 23.8	0.30 7.5	1.22 31.0
03	CP3057-6C	0.438	11.1	1.06 27.0	0.39 9.9	1.22 31.0
04	CP3057-8C	0.563	14.3	1.19 30.2	0.43 11.0	1.22 31.0
05	CP3057-10C	0.625	15.9	1.31 33.3	0.43 11.0	1.28 32.5
06	CP3057-12C	0.750	19.1	1.56 39.7	0.60 15.1	1.28 32.5
07	CP3057-16C	0.938	23.8	1.75 44.5	0.60 15.1	1.41 35.7
08	CP3057-20C	1.250	31.8	2.25 57.2	0.86 21.8	1.66 42.1
09	CP3057-24C	1.375	34.9	2.38 60.3	0.86 21.8	1.91 48.4
10	CP3057-28C	1.625	41.3	2.63 66.7	1.11 28.1	1.91 48.4
11	CP3057-32C	1.875	47.6	2.81 71.4	1.42 36.1	2.00 50.8

inches millimeters
Tolerance ±0.01±0.25