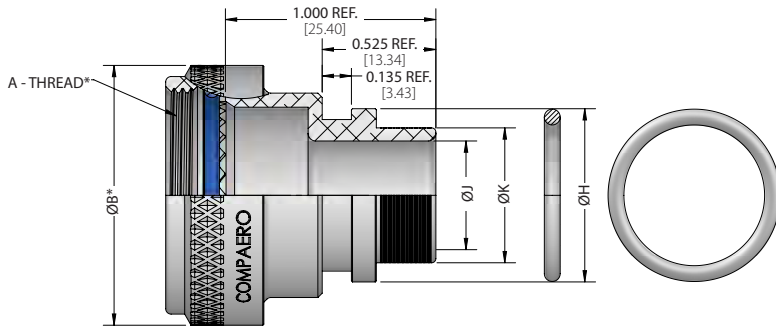
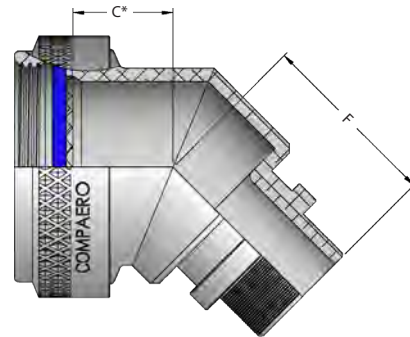


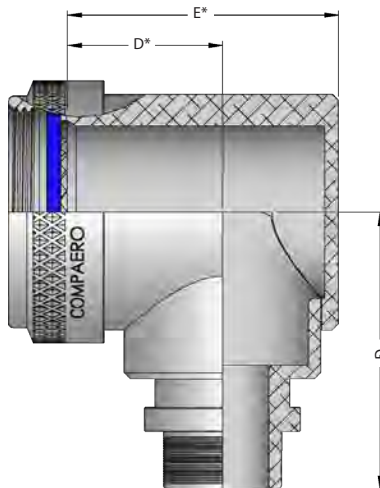
Angle 1 - Straight Rotatable Coupling



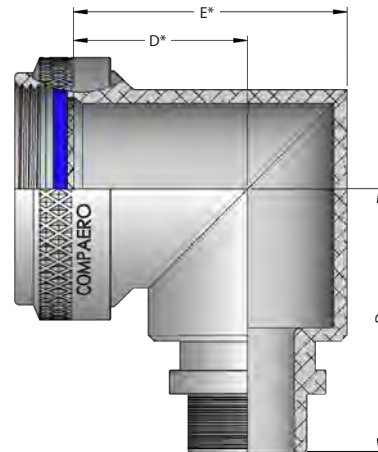
Angle 4 - 45 Degree



Angle 8 - 90 Degree



Angle 9 - 90 Degree Miter Cut



CP A 49 1 W D - 12 03 - AI - VG0

Compaero Identifier

Connector Interface

See page 6 for details

Series Identifier

Angle

Material & Finish

See page 7 for details

Coupling Ring Option

Omit for standard rotatable

D - Direct coupling

E - Seat-lock (Non-detent, self locking)

S - Self locking (Detent, ratchet style)

T - Safety wire holes

W - Wrench flats

See page 8 for details

Shrink Boot Option

Omit for no boot - See website for details

Memory Ring

Omit for none - See page 42 for details

AI - Ring for single AWG braid

BI - Ring for double 36 AWG braid

Cable Entry

See table 2

Shell Size

See table 1

* Refer to interface tables in pages 43 & 44
inches [millimeters]

SERIES 49

EMI/RFI Memory Ring Shrink Boot Adapter Environmental, Screened



Table 1 Shell Size

SHELL SIZE	F MAX	G MAX
	in mm	in mm
08/09	0.81 20.6	1.10 27.9
10/11	0.83 21.1	1.17 29.7
12/13	0.86 21.8	1.23 31.2
14/15	0.88 22.4	1.29 32.8
16/17	0.91 23.1	1.35 34.3
18/19	0.92 23.4	1.38 35.1
20/21	0.95 24.1	1.45 36.8
22/23	0.97 24.6	1.51 38.4
24/25	1.00 25.4	1.57 39.9
28/29	1.03 26.2	1.63 41.4
32/33	1.08 27.4	1.76 44.7
36	1.12 28.4	1.85 47.0
40	1.17 29.7	1.98 50.3
44	1.22 31.0	2.10 53.3
48	1.27 32.3	2.23 56.6
61	0.99 25.1	1.54 39.1

Table 2 Entry Size

ENTRY	ØH MAX	ØJ	ØK
	in mm	in mm	in mm
02	0.570 14.5	0.250 6.4	0.373 9.5
32	0.633 16.1	0.313 7.9	0.435 11.1
03	0.695 17.7	0.375 9.5	0.498 12.7
33	0.758 19.2	0.438 11.1	0.560 14.3
04	0.820 20.8	0.500 12.7	0.623 15.9
05	0.945 24.0	0.625 15.9	0.747 19.0
06	1.070 27.2	0.750 19.1	0.872 22.2
07	1.195 30.4	0.875 22.2	0.997 25.4
08	1.320 33.5	1.000 25.4	1.122 28.5
09	1.445 36.7	1.125 28.6	1.247 31.7
10	1.570 39.9	1.250 31.8	1.372 34.9
11	1.695 43.1	1.375 34.9	1.495 38.0
12	1.820 46.2	1.500 38.1	1.620 41.2

inches millimeters
Tolerance ±0.01±0.25