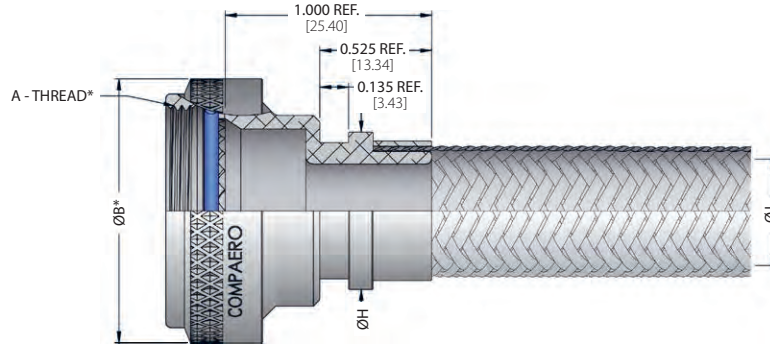
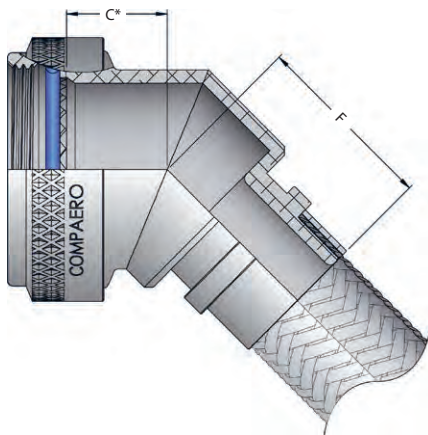


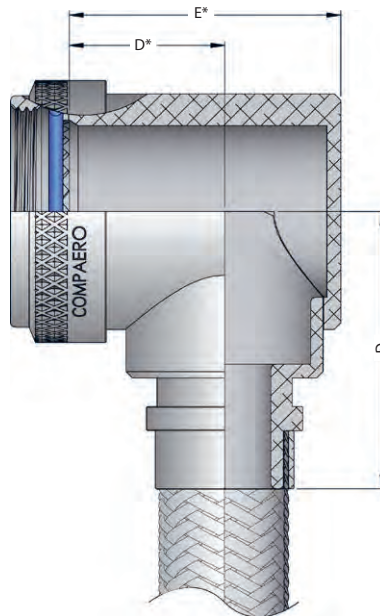
**Angle 1 - Straight Rotatable Coupling**



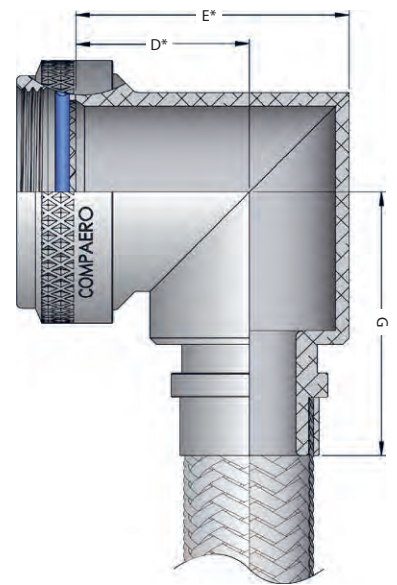
**Angle 4 - 45 Degree**



**Angle 8 - 90 Degree**



**Angle 9 - 90 Degree Miter Cut**



**CP A 35 1 W D - 12 03 - VG0 - 6**

**Compaero Identifier**

**Connector Interface**  
See page 6 for details

**Series Identifier**

**Angle**

**Material & Finish**  
See page 7 for details

**Coupling Ring Option**  
Omit for standard rotatable

- D** - Direct coupling
  - E** - Seat-lock (Non-detent, self locking)
  - S** - Self locking (Detent, ratchet style)
  - T** - Safety wire holes
  - W** - Wrench flats
- See page 8 for details

**Shield Length**

Supplied in 1 Inch increments  
-6 (6") as standard

**Shrink Boot Option**

Omit for no boot - See website for details

**Cable Entry**

See table 2

**Shell Size**

See table 1

\* Refer to interface tables in pages 43 & 44  
**inches** [millimeters]

# SERIES 35

## Shield Sock Shrink Boot Adapter Environmental, Screened



**Table 1** Shell Size

| SHELL SIZE | F MAX     | G MAX     |
|------------|-----------|-----------|
|            | in mm     | in mm     |
| 08/09      | 0.81 20.6 | 1.10 27.9 |
| 10/11      | 0.83 21.1 | 1.17 29.7 |
| 12/13      | 0.86 21.8 | 1.23 31.2 |
| 14/15      | 0.88 22.4 | 1.29 32.8 |
| 16/17      | 0.91 23.1 | 1.35 34.3 |
| 18/19      | 0.92 23.4 | 1.38 35.1 |
| 20/21      | 0.95 24.1 | 1.45 36.8 |
| 22/23      | 0.97 24.6 | 1.51 38.4 |
| 24/25      | 1.00 25.4 | 1.57 39.9 |
| 28/29      | 1.03 26.2 | 1.63 41.4 |
| 32/33      | 1.08 27.4 | 1.76 44.7 |
| 36         | 1.12 28.4 | 1.85 47.0 |
| 40         | 1.17 29.7 | 1.98 50.3 |
| 44         | 1.22 31.0 | 2.10 53.3 |
| 48         | 1.27 32.3 | 2.23 56.6 |
| 61         | 0.99 25.1 | 1.54 39.1 |

**Table 2** Entry Size

| ENTRY | ØH MAX     | ØJ         |
|-------|------------|------------|
|       | in mm      | in mm      |
| 01    | 0.445 11.3 | 0.125 3.2  |
| 31    | 0.508 12.9 | 0.188 4.8  |
| 02    | 0.570 14.5 | 0.250 6.4  |
| 32    | 0.633 16.1 | 0.313 7.9  |
| 03    | 0.695 17.7 | 0.375 9.5  |
| 33    | 0.758 19.2 | 0.438 11.1 |
| 04    | 0.820 20.8 | 0.500 12.7 |
| 34    | 0.883 22.4 | 0.563 14.3 |
| 05    | 0.945 24.0 | 0.625 15.9 |
| 35    | 1.008 25.6 | 0.688 17.5 |
| 06    | 1.070 27.2 | 0.750 19.1 |
| 36    | 1.133 28.8 | 0.813 20.6 |
| 07    | 1.195 30.4 | 0.875 22.2 |
| 37    | 1.258 31.9 | 0.938 23.8 |
| 08    | 1.320 33.5 | 1.000 25.4 |
| 38    | 1.383 35.1 | 1.063 27.0 |
| 09    | 1.445 36.7 | 1.125 28.6 |
| 10    | 1.570 39.9 | 1.250 31.8 |
| 11    | 1.695 43.1 | 1.375 34.9 |
| 12    | 1.820 46.2 | 1.500 38.1 |
| 13    | 1.945 49.4 | 1.625 41.3 |
| 14    | 2.070 52.6 | 1.750 44.5 |
| 15    | 2.195 55.8 | 1.875 47.6 |
| 16    | 2.320 58.9 | 2.000 50.8 |

inches millimeters  
Tolerance ±0.01±0.25