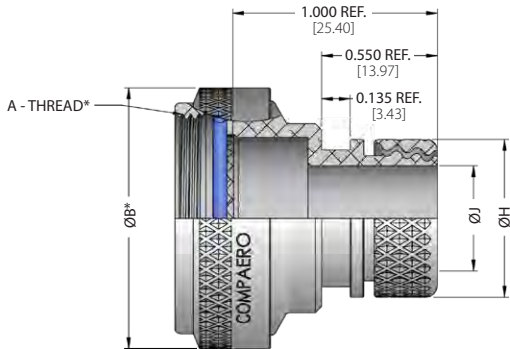
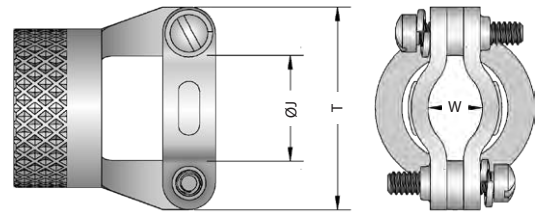


Angle 1 - Straight Rotatable Coupling

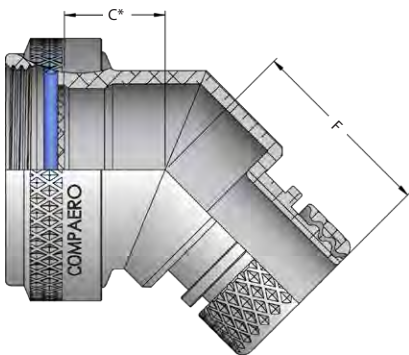


Clamp Option - SR Clamp

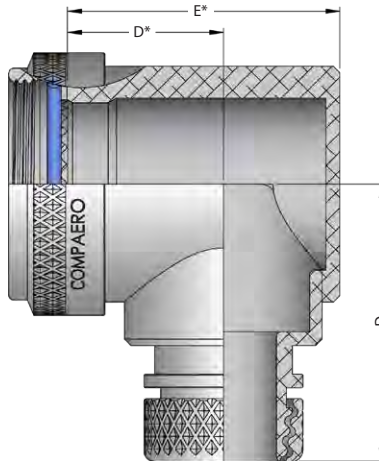


Only available on entry sizes **31-10**

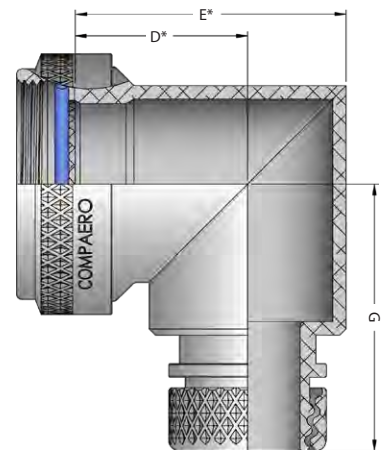
Angle 4 - 45 Degree



Angle 8 - 90 Degree



Angle 9 90 Degree Miter Cut



CPA 31 1 W D - 12 03 - VG0 - SR

Compaero Identifier

Connector Interface

See page 6 for details

Series Identifier

Angle

Material & Finish

See page 7 for details

Coupling Ring Option

Omit for standard rotatable

D - Direct coupling

E - Seat-lock (Non-detent, self locking)

S - Self locking (Detent, ratchet style)

T - Safety wire holes

W - Wrench flats

See page 8 for details

Strain Relief Option

Omit for standard E-Nut

Use SR for clamp style

Shrink Boot Option

Omit for no boot - See website for details

Cable Entry

See table 2

Shell Size

See table 1

* Refer to interface tables in pages 43 & 44
inches [millimeters]

SERIES 31

EMI/RFI Lamp Base Thread Environmental, Screened



Table 1 Shell Size

SHELL SIZE	F MAX	G MAX
	in mm	in mm
08/09	0.83 21.1	1.10 27.9
10/11	0.86 21.8	1.17 29.7
12/13	0.88 22.4	1.23 31.2
14/15	0.91 23.1	1.29 32.8
16/17	0.93 23.6	1.35 34.3
18/19	0.95 24.1	1.38 35.1
20/21	0.97 24.6	1.45 36.8
22/23	1.00 25.4	1.51 38.4
24/25	1.02 25.9	1.57 39.9
28/29	1.05 26.7	1.63 41.4
32/33	1.10 27.9	1.76 44.7
36	1.14 29.0	1.85 47.0
40	1.19 30.2	1.98 50.3
44	1.24 31.5	2.10 53.3
48	1.30 33.0	2.23 56.6
61	1.01 25.7	1.54 39.1

Table 2 Entry Size

ENTRY SIZE	ØH MAX	ØJ	T MAX	W REF
	in mm	in mm	in mm	in mm
01	0.40 10.0	0.125 3.2	n/a	n/a
31	0.46 11.6	0.188 4.8	0.68 17.3	0.12 3.0
02	0.52 13.2	0.250 6.4	0.74 18.9	0.13 3.4
32	0.58 14.8	0.313 7.9	0.81 20.5	0.20 5.0
03	0.65 16.4	0.375 9.5	0.87 22.1	0.22 5.5
33	0.71 18.0	0.438 11.1	0.93 23.6	0.24 6.0
04	0.77 19.6	0.500 12.7	0.99 25.1	0.26 6.5
34	0.83 21.1	0.563 14.3	1.06 26.8	0.38 9.7
05	0.90 22.7	0.625 15.9	1.12 28.4	0.41 10.4
35	0.96 24.3	0.688 17.5	1.19 30.1	0.45 11.5
06	1.02 25.9	0.750 19.1	1.24 31.6	0.45 11.4
36	1.08 27.5	0.813 20.6	1.30 33.1	0.55 14.0
07	1.15 29.1	0.875 22.2	1.37 34.8	0.61 15.4
37	1.21 30.7	0.938 23.8	1.44 36.5	0.66 16.8
08	1.27 32.3	1.000 25.4	1.49 37.9	0.68 17.3
38	1.33 33.8	1.063 27.0	1.56 39.5	0.74 18.8
09	1.40 35.4	1.125 28.6	1.62 41.1	0.77 19.5
10	1.52 38.6	1.250 31.8	1.74 44.3	0.92 23.4
11	1.65 41.8	1.375 34.9	n/a	n/a
12	1.77 45.0	1.500 38.1	n/a	n/a
13	1.90 48.1	1.625 41.3	n/a	n/a
14	2.02 51.3	1.750 44.5	n/a	n/a
15	2.15 54.5	1.875 47.6	n/a	n/a
16	2.27 57.7	2.000 50.8	n/a	n/a

inches millimeters
Tolerance ±0.01±0.25