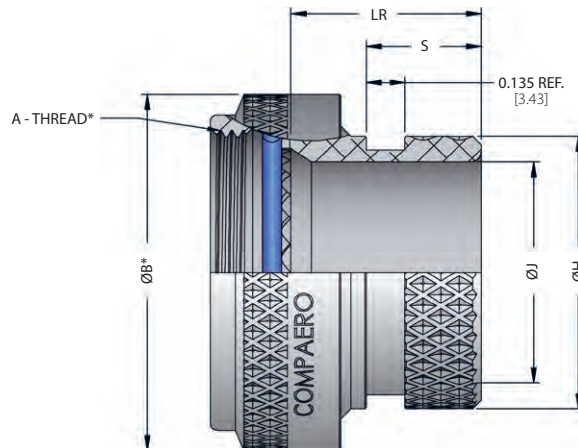
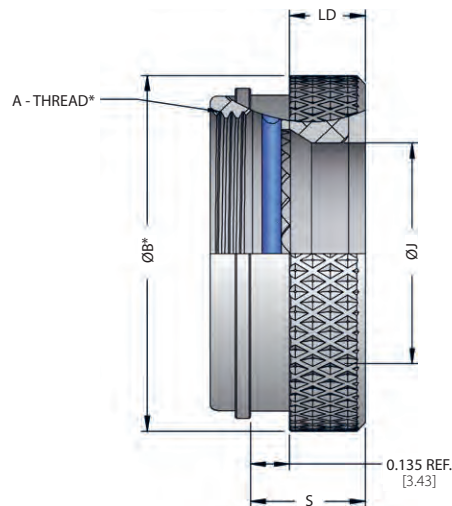


Angle 1 - Straight Rotatable Coupling



Angle 1 - Straight Direct Coupling



CP A 30 1 W D - 12 - VG0

Compaero Identifier
Connector Interface
See page 6 for details
Series Identifier
Angle
Material & Finish
See page 7 for details

Shrink Boot Option
Omit for no boot - See website for details
Shell Size
See table 1
Coupling Ring Option
Omit for standard rotatable
D - Direct coupling
E - Seat-lock (Non-detent, self locking)
S - Self locking (Detent, ratchet style)
T - Safety wire holes
W - Wrench flats
See page 8 for more details

* Refer to interface tables in pages 43 & 44
inches [millimeters]

SERIES 30

Shrink Boot Adapter Environmental, Non-Screened



Table 1 Shell Size

SHELL SIZE	ØJ MIN		ØH MAX		S REF		LR MAX		LD MAX	
	in	mm	in	mm	in	mm	in	mm	in	mm
08/09	0.250	6.4	0.53	13.5	0.41	10.3	0.85	21.6	0.50	12.8
10/11	0.375	9.5	0.61	15.4	0.41	10.3	0.85	21.6	0.50	12.8
12/13	0.375	9.5	0.77	19.7	0.41	10.3	0.85	21.6	0.50	12.8
14/15	0.438	11.1	0.84	21.3	0.41	10.3	0.85	21.6	0.50	12.8
16/17	0.563	14.3	0.96	24.5	0.41	10.3	0.85	21.6	0.50	12.8
18/19	0.625	15.9	1.04	26.5	0.41	10.3	0.85	21.6	0.50	12.8
20/21	0.750	19.1	1.22	30.9	0.41	10.3	0.85	21.6	0.50	12.8
22/23	0.875	22.2	1.36	34.4	0.41	10.3	0.85	21.6	0.50	12.8
24/25	1.000	25.4	1.44	36.7	0.41	10.3	0.85	21.6	0.50	12.8
28/29	1.188	30.2	1.63	41.3	0.41	10.3	0.85	21.6	0.50	12.8
32/33	1.438	36.5	1.88	47.6	0.56	14.3	1.01	25.8	0.66	16.7
36	1.625	41.3	2.06	52.4	0.56	14.3	1.01	25.8	0.66	16.7
40	1.875	47.6	2.31	58.7	0.56	14.3	1.01	25.8	0.66	16.7
44	2.313	58.7	2.56	65.1	0.56	14.3	1.01	25.8	0.66	16.7
48	2.563	65.1	2.81	71.4	0.56	14.3	1.01	25.8	0.66	16.7
61	1.188	30.2	1.44	36.5	0.56	14.3	1.01	25.8	0.66	16.7

inches millimeters
Tolerance ±0.01±0.25